

# WF45R6100AC

SAMSUNG

## Samsung Front Load Washer with Steam 5.2 cu. ft. Capacity IEC



### Signature Features

#### Steam

- Powerful stain removal without pretreatment while still gentle on your clothing.

#### Self Clean+

- Keeps your washer drum fresh and clean by eliminating 99% of bacteria<sup>1</sup>. Will also send a reminder to clean the drum every forty wash cycles.

#### Closet-Depth

- This washer fits within your existing laundry space without sacrificing any capacity thanks to our new, wider drum.
- A new control panel design provides better visibility so it is easy to use even when stacked.

### Available Colors



Platinum (shown)



Steam



Self Clean+

### Features

- Steam
- Self Clean+
- Smart Care
- VRT Plus™ Technology
- Swirl+ Drum Design
- Closet-Depth Fit<sup>2</sup>
- Stackability
- Internal Water Heater
- 1200 RPM Maximum Spin Speed
- Direct Drive Motor
- 10 Preset Washing Cycles
- 7 Additional Washing Options
- 5 Temperature Levels
- LED Display: Ice Blue
- 24-Hour Delay End

### Convenience

- Child Lock
- Delay End
- Dispenser Trays: Main Wash, Softener, Bleach

### Rating



ENERGY STAR®-rated  
CEE Tier 2  
IMEF = 2.92  
IWF = 2.9

<sup>1</sup>Based on testing by Intertek of the Self Clean+ cycle on the WF6000R.

<sup>2</sup>Designed to fit a 40" installation depth.

# WF45R6100AC

# SAMSUNG

## Samsung Front Load Washer with Steam

5.2 cu. ft. Capacity IEC

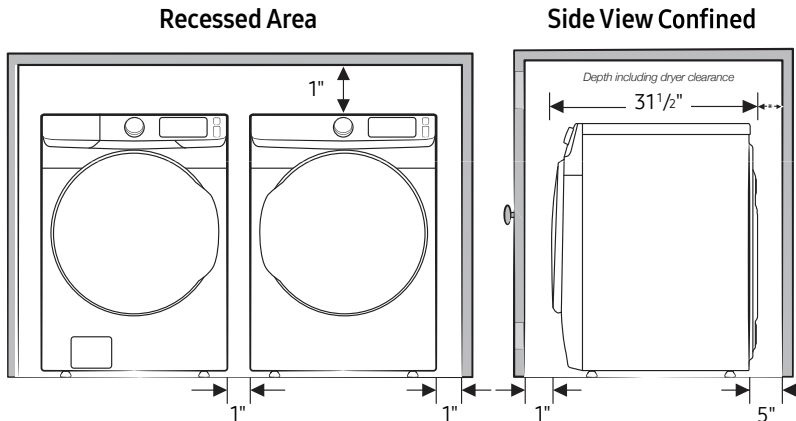
### Installation Specifications

If the washer and dryer are installed together or the dryer alone, the closet front must have two unobstructed air openings for a combined minimum total area of 72-inch<sup>2</sup> (see stacked build below). Your washer alone does not require a specific air opening.

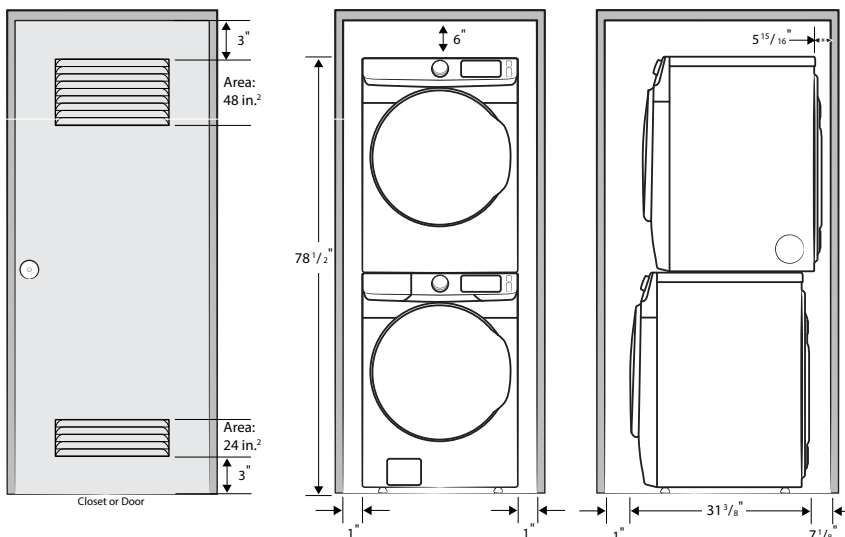
\*Required spacing (External exhaust elbow may require additional space.)

#### 1. Alcove or closet installation

Minimum Clearance for Closet and Alcove Installations:

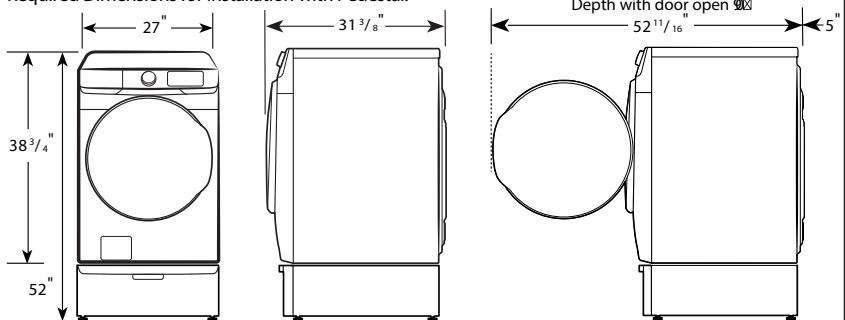


#### 2. With stacked washer and dryer



### Dimensions

Required Dimensions for Installation with Pedestal:



Actual color may vary. Design, specifications, and color availability are subject to change without notice. Non-metric weights and measurements are approximate.  
© 2019 Samsung Electronics Canada Inc. All rights reserved. Samsung is a registered trademark of Samsung Electronics Co., Ltd., used with permission.

#### 10 Preset Washing Cycles:

Normal, Heavy Duty, Bedding, Quick Wash, Permanent Press, Delicates, Whites, Sanitize, Rinse and Spin, Self Clean+

#### 7 Additional Washing Options:

Presoak, Steam, Delay End, Alarm Off, Child Lock, Smart Care, Spin Only

#### 5 Temperature Levels:

Hot, Warmer, Warm, Cool, Cold

#### 5 Spin Speeds:

High, Medium High, Medium, Low, No Spin

#### 5 Soil Levels:

Heavy, Medium Heavy, Normal, Medium Low, Light

#### Dispenser Trays:

Main Wash, Softener, Bleach

#### Warranty

One (1) Year Parts and Labor

Ten (10) Years Direct Drive Motor (Part Only)

#### Product Dimensions & Weight (WxHxD)

Dimensions: 27" x 38 3/4" x 31 3/8"

Weight: 201 lbs

#### Shipping Dimensions & Weight (WxHxD)

Dimensions: 29 3/8" x 42 3/8" x 34 1/8"

Weight: 205 lbs

#### Color

Platinum

#### Model #

WF45R6100AP

#### UPC Code

887276299464

#### Matching Dryer (Electric/Gas)

Champagne

DVE45T6100C

887276390352

Platinum

DVE45T6100P

887276390369

Platinum

DVG45T6100P

887276390390

#### Pedestal

Champagne

WE402NC

887276310121

Platinum

WE402NP

887276310145

#### Accessories

Stacking Kit

SKK-8K

887276344034